

NPK 09 SERIES

SWING PISTON VACUUM PUMPS AND COMPRESSORS



NPK 09 AC



NPK 09 DC



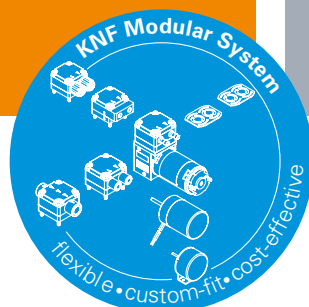
NPK 09.1.2 AC

ADVANTAGES

- High level of performance in a compact size
- High pressure up to 7 bar rel./101.5 psig
- Robust design

POSSIBLE AREAS OF USE

- Diagnostics – transfer of liquids and gaseous samples for analysis
- Medical technology – e.g. inhalation devices
- Vacuum technology – pick & place applications



Please visit our website
www.knf.com
 to get more information

PERFORMANCE DATA

Series model	NPK 09 AC	NPK 09 DC	NPK 09.1 AC	NPK 09.2 AC	NPK 09.1.2 AC
Flow rate at atm. pressure (l/min)	12.0	15.0	24.0		
Ultimate vacuum (mbar abs.)	100			-	100
Max. operating pressure (bar rel./psig)	7.0/101.5		-	7.0/101.5	
Permissible ambient temperature (°C)	+5 ... +40				
Permissible media temperature (°C)	+5 ... +40				
Weight (kg/lbs)	1.8/4.0	1.6/3.5	2.4/5.3		

ELECTRICAL DATA

Voltage (V)	230	12 24	230
Motor	Capacitor motor	DC motor	Capacitor motor
Protection class motor	IP 00	IP 50	IP 00
Frequency (Hz)	50	-	50
Power P ₁ (W)	100	-	180
I _{max} (A)	0.60	5.20 2.60	0.80

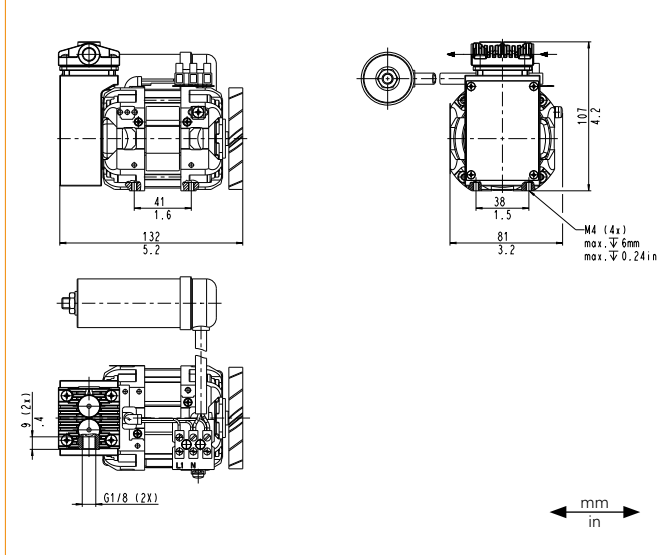
NPK 09 AC

PERFORMANCE DATA

Series model	Flow rate at atm. pressure (l/min) ¹⁾	Max. operating pressure (bar rel./psig)	Ultimate vacuum (mbar abs.)
NPK 09 AC	12.0	7.0/101.5	100

¹⁾ Liter at STP

NPK 09 AC



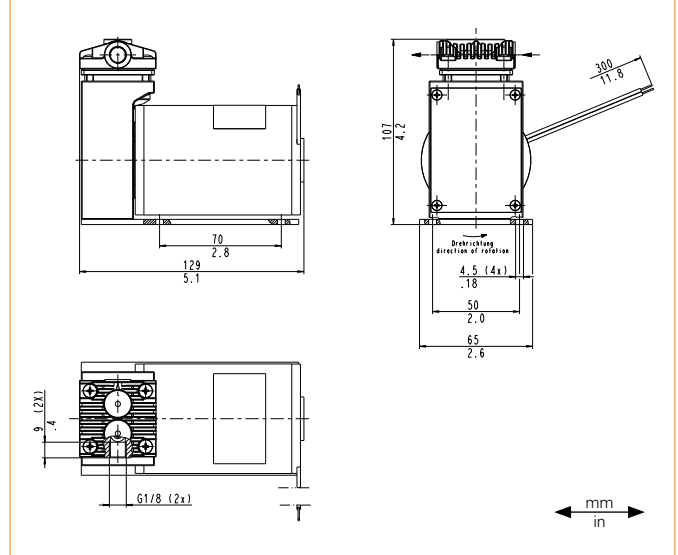
NPK 09 DC

PERFORMANCE DATA

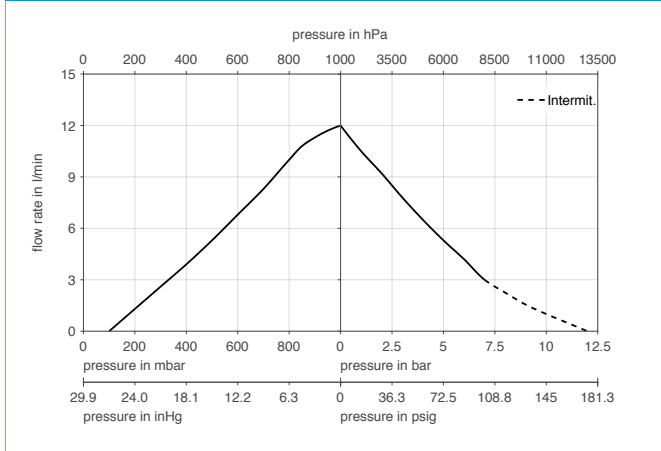
Series model	Flow rate at atm. pressure (l/min) ¹⁾	Max. operating pressure (bar rel./psig)	Ultimate vacuum (mbar abs.)
NPK 09 DC	15.0	7.0/101.5	100

¹⁾ Liter at STP

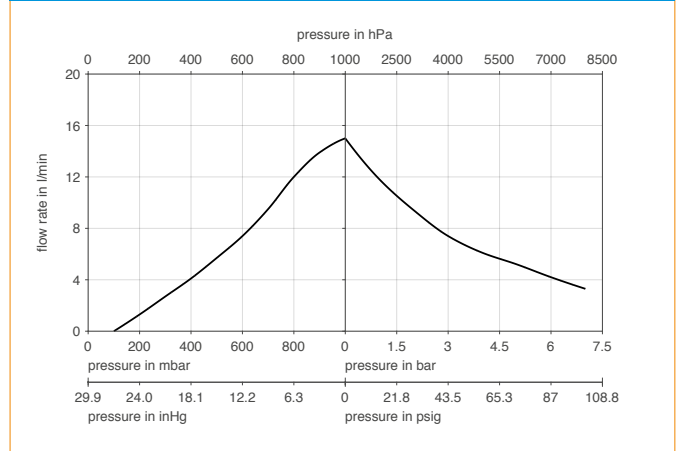
NPK 09 DC



NPK 09 AC



NPK 09 DC



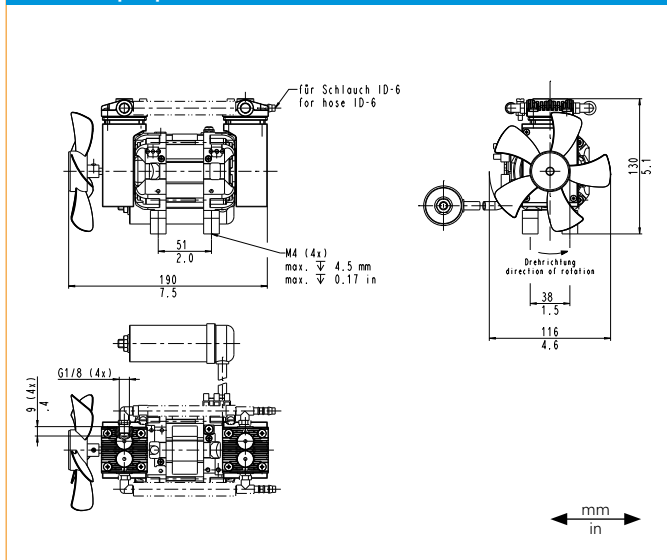
NPK 09.1 | .2 | .1.2 AC

PERFORMANCE DATA

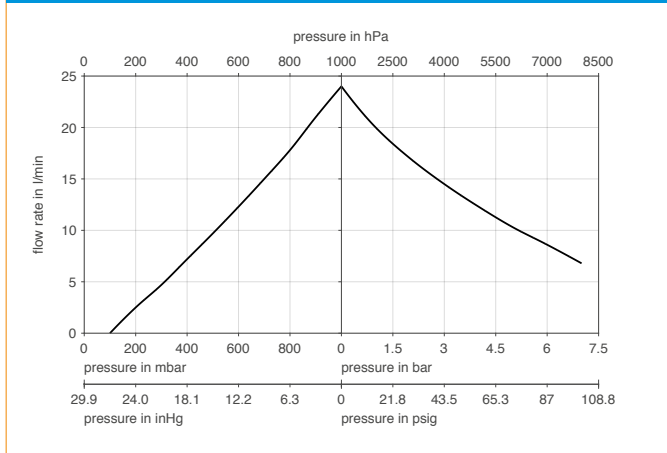
Series model	Flow rate at atm. pressure (l/min) ¹⁾	Max. operating pressure (bar rel./psig)	Ultimate vacuum (mbar abs.)
NPK 09.1 AC	24.0	-	100
NPK 09.2 AC	24.0	7.0/101.5	-
NPK 09.1.2 AC	24.0	7.0/101.5	100

¹⁾ Liter at STP

NPK 09.1 | .2 | .1.2 AC



NPK 09.1 | .2 | .1.2 AC



ACCESSORIES

Description	Part No.	Details
Silencer/Inlet filter	007005	G 1/8
Hose connector for tube ID 6 mm	005148	G 1/8
Gasket	026906	

SPARE PARTS

Description	Part No.	Details
Intermediate plate	025523	
Ribbed head	051565	
Flat headed screw	005112	M4x20
Connection for NPK 09.1 .1.2 (suction side)	026178	Polyamide/rubber
Connection for NPK 09.2 .1.2 (pressure side)	026179	Polyamide/rubber
Gasket	052650	
Valve plate	052649	
O-ring	025547	
Cylinder	025528	
Retainer plate	025530	
Support	025532	
Piston seal	025531	
Countersunk head screw	110725	M4x16
Washer	006886	

The performance values for the series models shown on this data sheet were determined under test conditions. The actual performance values may differ and depend in particular on the usage conditions and therefore on the specific application, on the parameters of the components involved in the user's system and on any technical modifications carried out which deviate from the standard configuration or the as delivered condition.

If individual designs have been created for specific customers on the basis of series models, other technical performance data may apply.

Before operation begins, the relevant operating instructions and/or assembly or installation instructions should be read and the safety information contained in these instructions should be noted.

KNF reserves the right to make changes to the product and the associated documentation without prior notice to the customer.



www.knf.com