

DIAPHRAGM LIQUID PUMPS

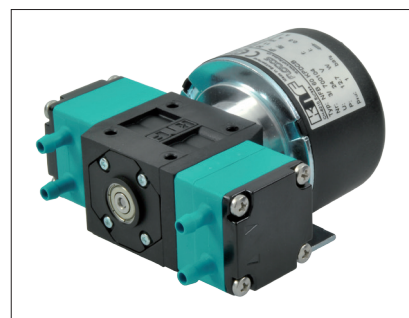
NF 60, NFB 60



NF 60 KPDCB-A



NF 60 KP.51DC



NFB 60 KPDCB

Concept

KNF diaphragm liquid pumps are based on the principle of the oscillating displacement pump which is remarkably simple in design. The circular power from the motor is converted into vertical movement by an eccentric. This motion is then transferred to a diaphragm by means of a connecting rod which in conjunction with an inlet and outlet valve creates a pumping action.

NF 60 type liquid pumps can be mounted in any position and can deliver up to 0.6 L/min depending on the model and will operate against pressures of up to 14.5 psig.

The KNF modular system contains a wide standard range of materials, motors, voltages and frequencies to enable the selection of an optimal solution for your application.

Features

Small and powerful

Micro design and maximum performance resulting from built-in technology are the outstanding characteristics of this product.

Self-priming and excellent for pressure

Sophisticated diaphragm technology and precise valve structures enable performances of up to 8.85 inHg suction and 14.5 psig pressure.

Extreme chemical resistance

The use of chemically resistant materials such as PTFE, PVDF, FFKM or other material combinations for the parts which come in contact with the liquid allows almost all neutral or corrosive liquids to be pumped.

Dry running, durable and maintenance free

The carefully considered design of these pumps allows them to be run dry and ensures safe operation and a long life even under the most severe conditions.

Areas of use

The versatility of KNF pumps allows a wide field of applications to be covered. Over many years our pumps have proved themselves in the following areas:

Analysers

- Medical/pharmaceutical
- Environmental/water treatment
- Food/toxicology

Laboratory

- Filtration
- Chromatography

Cleaning industry

- Cuvette cleaning
- Sterilisers
- Industrial washing machines

Printing

- Ink jet printing
- Photographic/film development

Other applications for diaphragm liquid pumps include: fuel cells, hydrogen generators, semiconductor industry, dental technology, textiles and many more.

PERFORMANCE DATA			
Type	Flow rate (L/min)	Suction head (inHg)	Pressure head (psig)
NF 60	0.6	8.85	14.5
NFB 60	2 x 0.6	8.85	14.5

KNF MODULAR CONCEPT OF SELECTION

General note

This Data Sheet provides an overview of the options with our NF 60 pumps. Certain standard options will be explained in more detail where necessary.

Flow curves

The flow curves illustrate how the flow rate alters in relation to the pressures before and after the pump. In the case of a combination of both we would be very happy to advise what the expected flow rate would be.

The values given in the curves are dependant upon the liquid, choice of head materials and the type of hoses being used. Therefore a certain deviation is to be expected.

Note: The flow rate is measured with water at 20°C.

1 Materials of head components

KNF Flodos offers a wide range of different materials for those parts which come in contact with the liquid thus allowing the possibility of pumping most liquids.

2 Motors

- **E** Shaded pole motor (AC)
- **DC** Direct current motor
- **DCB** Brushless direct current motor

This type of motor has no brushes which can wear down thus giving it a lifetime comparable with an AC motor.

Option: control possibility via PWM or 0-5V DC signal.

- **DCB-4** Compact brushless direct current motor
Reverse polarity protection
Overload protection
Thermal fuse

3 Voltages / Frequencies

Choose from the different electrical connection possibilities. Special variations are available.

Modules

Our versatile self-selection program allows you to personally determine the optimum characteristics that you require from your pump. Select your diaphragm pump from the following characteristics:

PUMP TYPE			
Basic model	1	2	3
NF 60			
NFB 60			
e.g.	KT	DC	24 V

1 MATERIALS OF HEAD COMPONENTS		
KP** / KP .51*	Head	PP
	Valves	EPDM
	O-Ring	EPDM
	Diaphragm	PTFE
	Resonating diaphragm	PTFE
KV	Head	PP
	Valves	FPM
	O-Ring	FPM
	Diaphragm	PTFE
	Resonating diaphragm	PTFE
KT**	Head	PP
	Valves	FFPM
	O-Ring	PTFE
	Diaphragm	PTFE
	Resonating diaphragm	PTFE
TV	Head	PVDF
	Valves	FPM
	O-Ring	FPM
	Diaphragm	PTFE
	Resonating diaphragm	PTFE
TT**	Head	PVDF
	Valves	FFPM
	O-Ring	PTFE
	Diaphragm	PTFE
	Resonating diaphragm	PTFE
FT	Head	PTFE
	Valves	FFPM
	O-Ring	PTFE
	Diaphragm	PTFE
	Resonating diaphragm	PTFE

2 MOTORS	
E	Shaded pole motor (AC)
DC	Direct current motor
DCB**	Brushless direct current motor
DCB-A	Compact brushless direct current motor

3 VOLTAGES / FREQUENCIES	
230V / 50Hz 115V / 60Hz 100V / 50-60Hz	for AC motors
12 / 24V	for DC motors
12 / 24V**	for DCB and DCB-A motors

* food grade conformity according to the standard NSF/ANSI 169, for details see options.

**NFB is only in this versions available as standard. Other versions on request.

NF 60 E/DC

PERFORMANCE

Basic model	Flow rate at atmos. pressure (L/min)	Max. suction head (inHg)	Max. pressure head (psig)
NF 60 E	0.6	8.85	14.5
NF 60 DC	0.6	8.85	14.5

Type	E	DC
Voltage (V)	230V / 50Hz	12 / 24
Power rating (W)	26	8.3 / 8.6
I max. load. (A)	0.21	0.69 / 0.36
I max. (A)	0.22	0.99 / 0.51
EMV guideline ¹⁾	EN 55014	EN 55014
Motor protection factor	IP 00	IP 00
Weight (g)	580	190

¹⁾ In order to comply with the above standards attention must be paid to the specifications in the operating instructions.

NF 60 DCB / NF 60 DCB-A

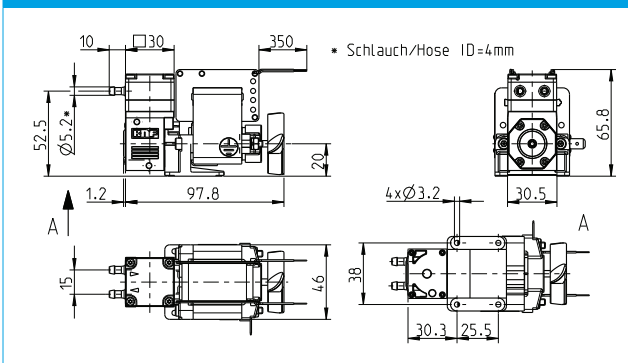
PERFORMANCE

Basic model	Flow rate at atmos. pressure (L/min)	Max. suction head (inHg)	Max. pressure head (psig)
NF 60 DCB	0.6	8.85	14.5
NF 60 DCB-A	0.6	8.85	14.5

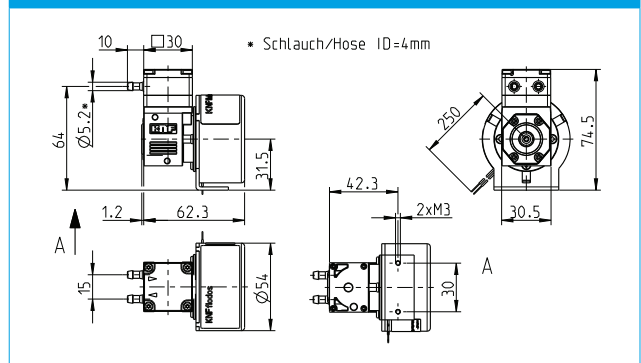
Type	DCB	DCB-A
Voltage (V)	12 / 24	12 / 24
Power rating (W)	7.7 / 8.2	5.5 / 6.2
I max. load. (A)	0.64 / 0.34	0.46 / 0.26
I max. (A)	0.93 / 0.46	1.8 / 0.9
EMV guideline ¹⁾	EN 55022 EN 55011	EN 55014-1 EN 55014-2 EN 61000-6-1 EN 61000-6-3
Motor protection factor	IP 30	IP 54
Weight (g)	280	180

¹⁾ In order to comply with the above standards attention must be paid to the specifications in the operating instructions.

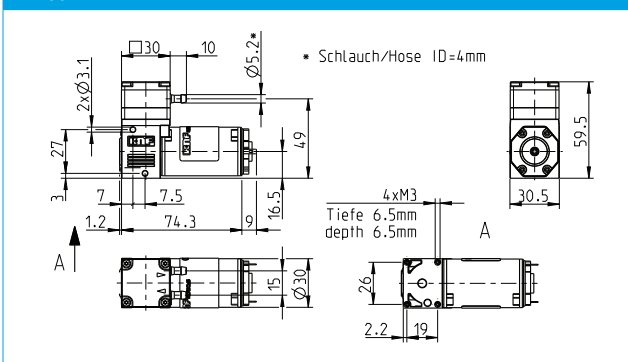
NF 60 E



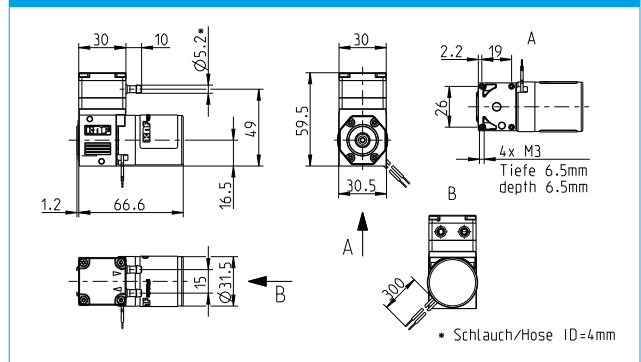
NF 60 DCB



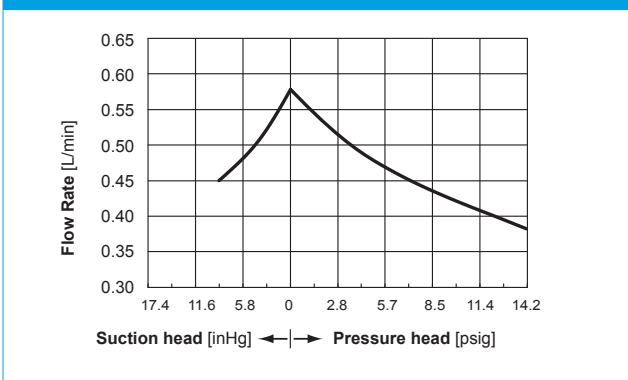
NF 60 DC



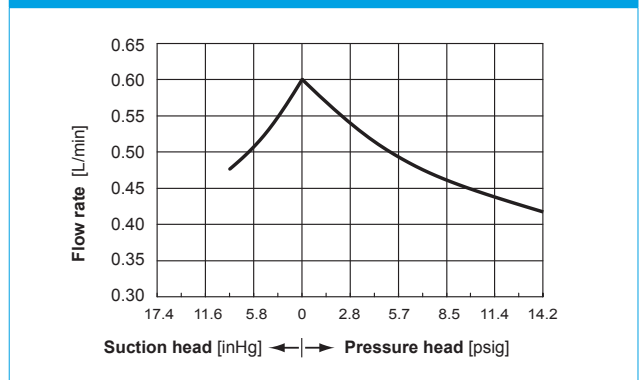
NF 60 DCB-A



NF 60 E FLOW CURVE



FLOW CURVE NF 60 DCB



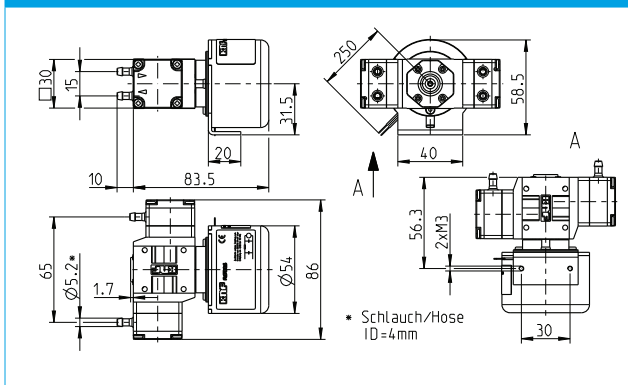
PERFORMANCE

Type	Flow rate at atmos. pressure (L/min)	Max. suction head (inHg)	Max. pressure head (psig)
NFB 60 DCB	2 x 0.6	8.85	14.5

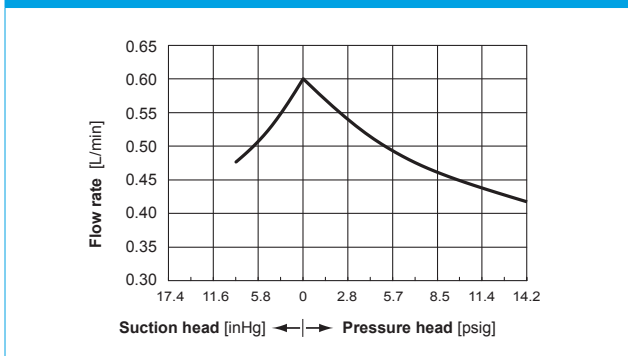
Type	DCB
Voltage (V)	12 / 24
Power rating (W)	13.2 / 12
I max. load. (A)	1.1 / 0.5
I max. (A)	1.5 / 0.75
EMV guideline ¹⁾	EN 55014-1 EN 61000-6-2
Weight (g)	370
Motor protection factor	IP 30

¹⁾ In order to comply with the above standards attention must be paid to the specifications in the operating instructions.

NFB 60 DCB



NFB 60 DCB FLOW CURVE



Diaphragm pressure control valve

The pressure control valve can be used for a more accurate control of flow against a fluctuating back pressure, metering into a vacuum and from a pressurised system. Used correct it can save pumps, plumbings and other fittings from damage. Example FDV 30 KPZ, for more information see data sheet FDV.

Pulsation damper

This very versatile pulsation damper reduces the vibration in hoses and pipes and it helps to remove pulsation which is preventing the system from functioning correctly. It also protects instrumentation connected after the pump. Suggestion FPD 06 KPZ-1, for more details see data sheet FPD.

Further accessories

- Hoses
- Hose connections
- Shock mounts
- Suppression device for DCB motor (ID-Nr. 155705)



NSF National Sanitary Foundation

NSF is market leader in the development and controlling of standards relevant for equipment used for handling foodstuffs. By using different toxicological tests our products will be certified according to the standard NSF/ANSI 169. This certification will confirm that all of the pumps with the code .51 are certified for the use with foods/consumables. In addition to this it also means that the pumps are constructed with wetted parts which come with a FDA* declaration of conformity. A yearly audit from NSF will be carried out to ensure that these standards are being maintained. A list of the various products are available on request.

* FDA = Food and Drug Administration

Further options

- Connections: M5, UNF 1/4"-28, 4/6 mm hose connector
- Head material: Stainless steel, PPS, PA MXD 6 etc.
- Suitable for pressure over 1.0 bar
- High protection IP65 version for applications under bad conditions (moisture, dust), for NF 60 DC
- Motors with special voltages and frequencies
- The incorporation of customers special requirements, for example special electrical connections (Molex, AMP, etc.)