

SWING PISTON COMPRESSORS AND VACUUM PUMPS FOR AIR



NPK 03 KV DC-M
(brush DC motor)



NPK 03 KV DC-B4
(brushless controllable DC motor)

Concept

The Swing Piston Pumps from KNF are based on a simple principal: As it rises and falls the piston tilts first to one side, then the other. Thanks to the sealing lip on the piston seal the swing pump runs dry and 100 % oil-free. They will evacuate, transfer and compress air without contamination.

For customers with unusual requirements the KNF Project Team produces specially tailored solutions. Use our experience to your advantage and talk to our applications engineers.

Features

- No contamination of the air due to oil-free operation**
- High end pressure up to 6 bar g on request**
- Excellent size performance ratio**
- Very quiet and little vibration**
- High level of flow-rate**
- Ready for installation**
- Can operate in any installed position**

Areas of use

The low vibration and noise level at high operating pressure points makes the NPK 03 ideal for applications such as medical point of care machines, RNA extraction machines and nebulizers for the medical industry, coffee machines and milk foamers in the food industry, pulsation dampers in the print industry as well as for other applications with demand on high pressure and limited installations space.

KNF Neuberger, Inc.

Two Black Forest Road
Trenton, NJ 08691
(609) 890-8600
www.knfusa.com

PERFORMANCE DATA

Typ		Flow rate (L/min)	Ultimate vacuum (mbar abs. / in.Hg)	atm. pressure	Ultimate pressure (bar rel. / psig)	Weight (g / oz.)
NPK 03 KV DC-M	Standard DC motor	3	250 / 22.5		5.5 / 80	480 / 16.9
NPK 03 KV DC-B4	Brushless motor, 4-wire	2.7	250 / 22.5		5.5 / 80	380 / 13.4

NPK 03 KV DC-M

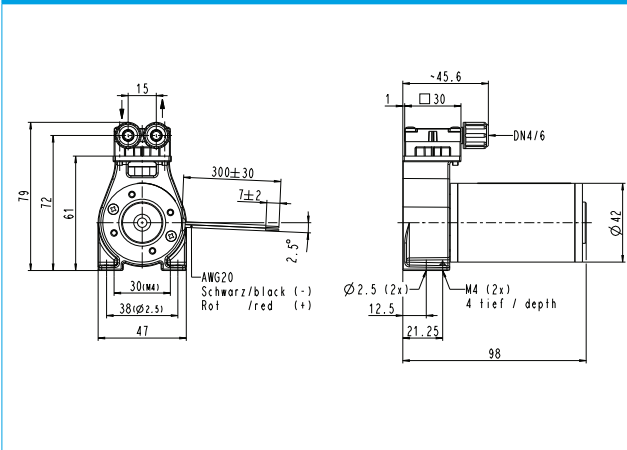
PERFORMANCE DATA

Type	Voltage (V)	Flow rate (L/min)	Ultimate pressure (bar rel. / psig)	Ultimate vacuum (mbar abs./in.Hg)
NPK 03 KV DC-M	12	3	5.5 / 80	250 / 22.5
NPK 03 KV DC-M	24	3	5.5 / 80	250 / 22.5

PUMP MATERIAL

Standard	Type	Pump head	Piston sealing	Valve
	KV	PPS	PTFE	FPM

NPK 03 KV DC-M



NPK 03 KV DC-B4

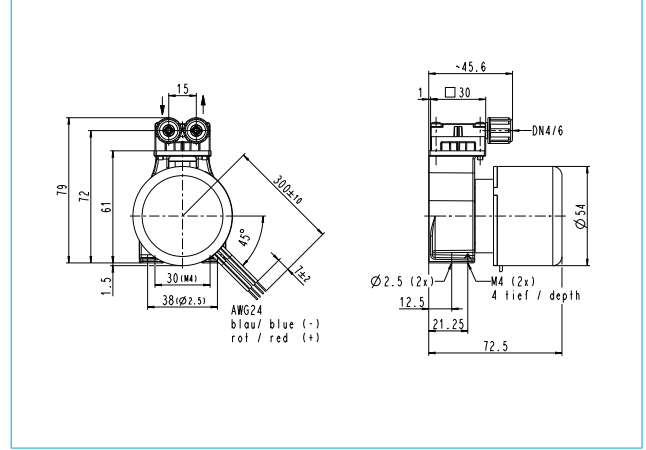
PERFORMANCE DATA

Type	Voltage (V)	Flow rate (L/min)	Ultimate pressure (bar rel. / psig)	Ultimate vacuum (mbar abs. / in.Hg)
NPK 03 KV DC-B4	12	2.7	5.5 / 80	250 / 22.5
NPK 03 KV DC-B4	24	2.7	5.5 / 80	250 / 22.5

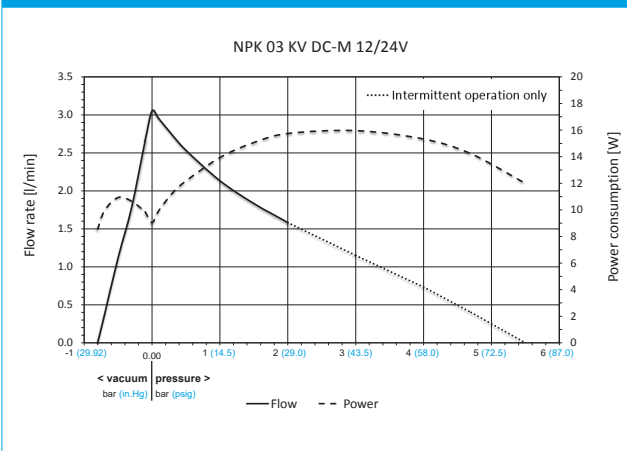
PUMP MATERIAL

Standard	Type	Pump head	Piston sealing	Valve
	KV	PPS	PTFE	FPM

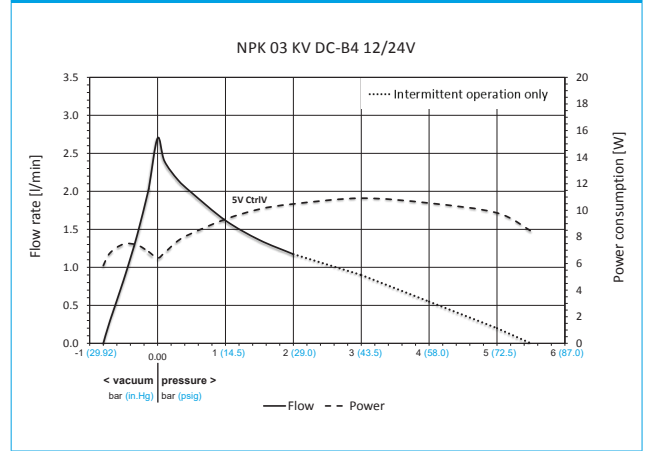
NPK 03 KV DC-B4



NPK 03 KV DC-M 12/24 V



NPK 03 KV DC-B4 12/24 V



More detailed information according duty cycles and service interval is available in the operating instruction.

ACCESSORIES

Service-Kit (sealing, valve, O-ring)	ID 314 101
Silencer/Filter	ID 314 005
Mounting plate	ID 312 554